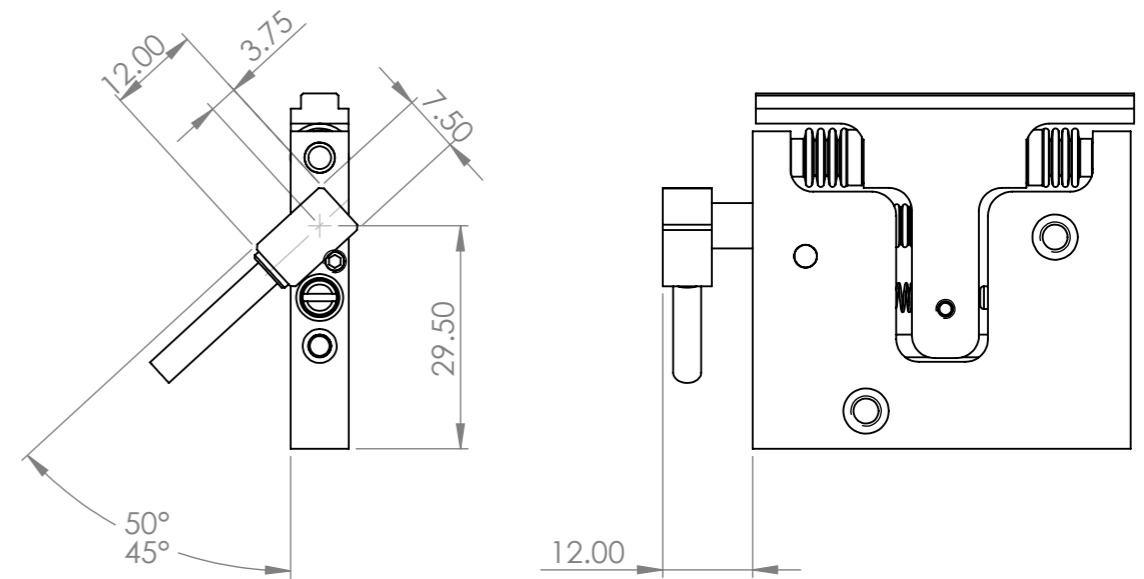
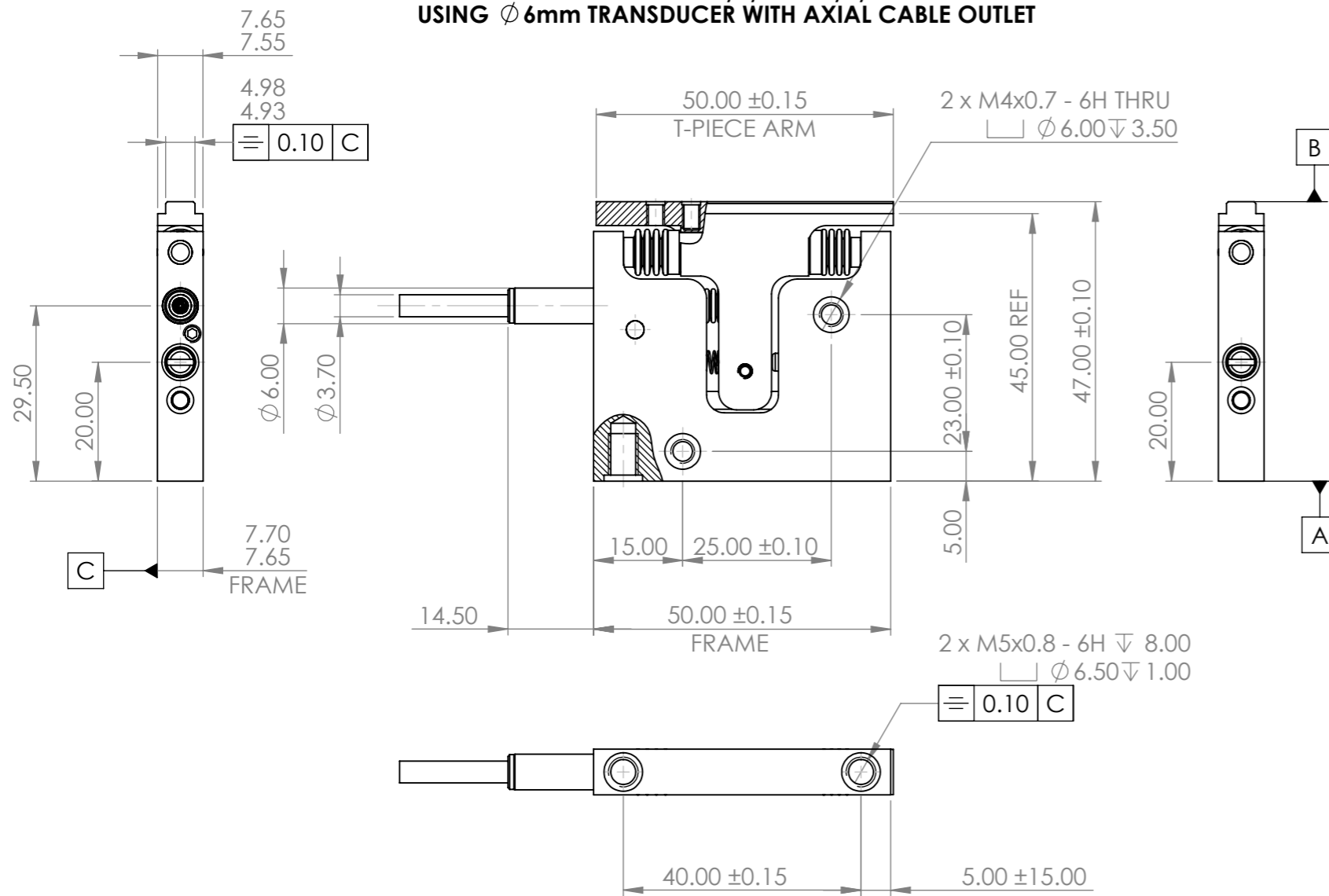


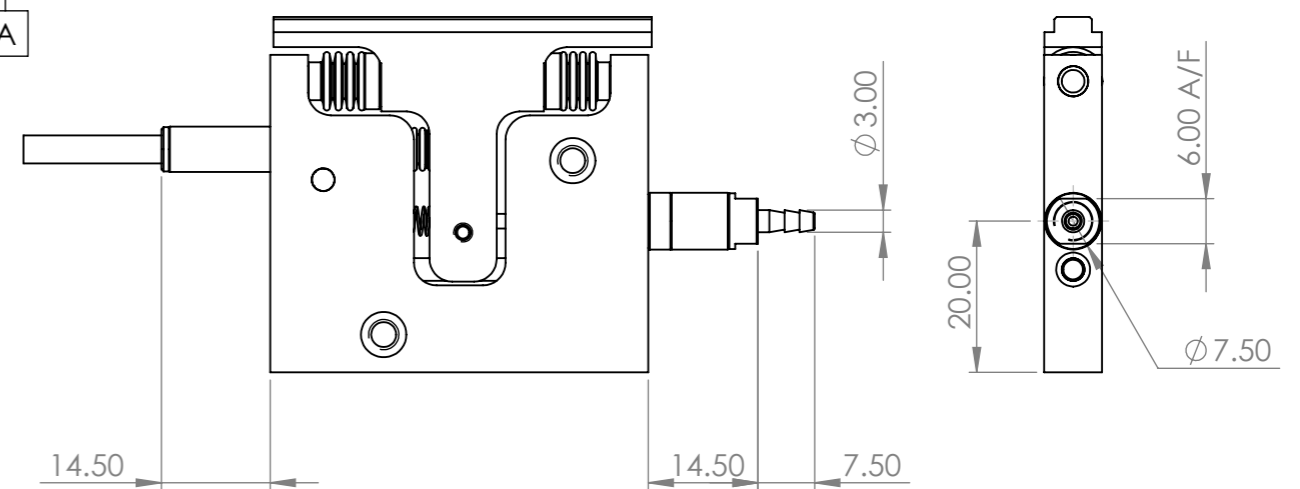
**SPRING PUSH STANDARD BGR/1/S & DKR/2/S AT MIDRANGE
 USING ϕ 6mm TRANSDUCER WITH RADIAL CABLE OUTLET**



**SPRING PUSH STANDARD BG/1/S & DK/2/S AT MIDRANGE
 USING ϕ 6mm TRANSDUCER WITH AXIAL CABLE OUTLET**



**PNEUMATIC STANDARD BG/1/P & DK/2/P AT MIDRANGE
 USING ϕ 6mm TRANSDUCER WITH AXIAL CABLE OUTLET**



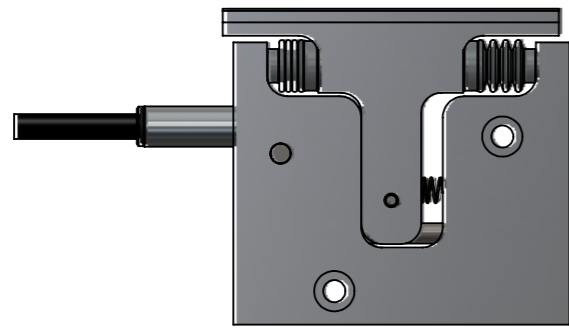
STEYNING WAY • BOGNOR REGIS • SUSSEX • ENGLAND • PO22 9ST

DRAWING NUMBER	
540002-082	

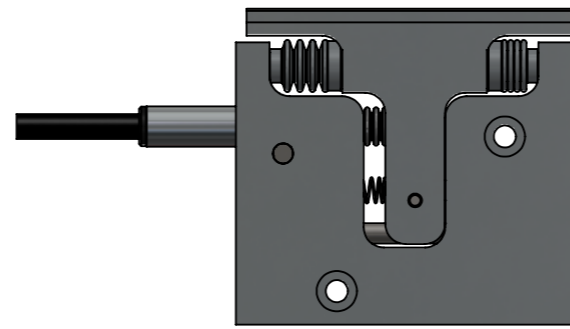
TITLE	BLOCK GAUGE BG/1 & DK/2
-------	----------------------------------------

E.D.C.R.	22692
ISSUE	2

SOLARTRON PURSUES A POLICY OF CONTINUOUS DEVELOPMENT. SPECIFICATIONS IN THIS DOCUMENT MAY THEREFORE BE CHANGED WITHOUT NOTICE. DIMENSIONS ARE NOMINAL AND SPECIFIED IN MILLIMETRES



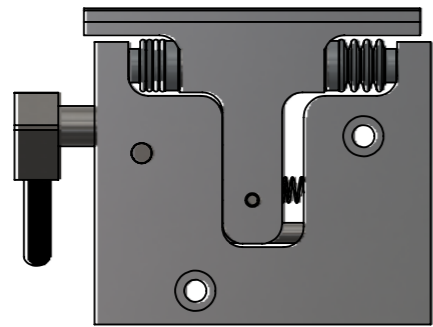
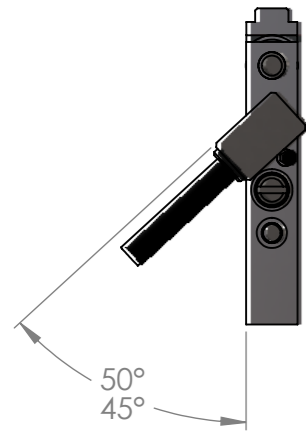
**BG/1/R(H) OR DK/2/R
REVERSED ACTION**



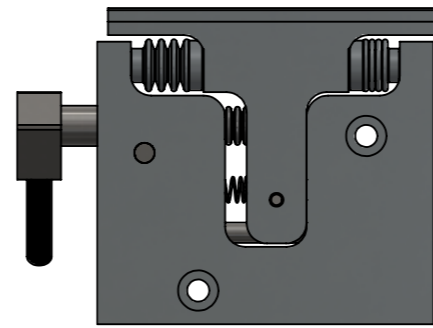
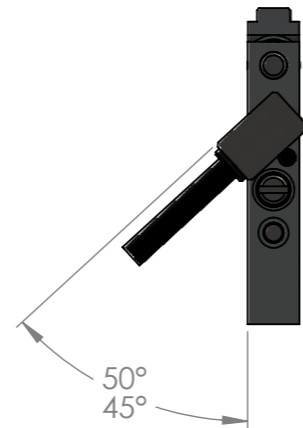
**BG/1/S(H) OR DK/2/S
STANDARD**

NOTES:-

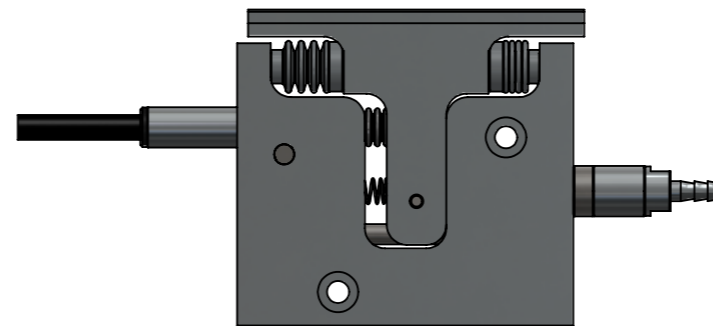
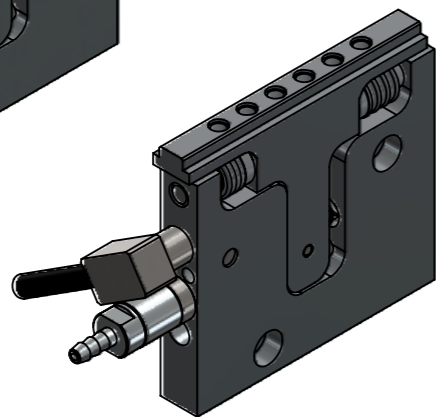
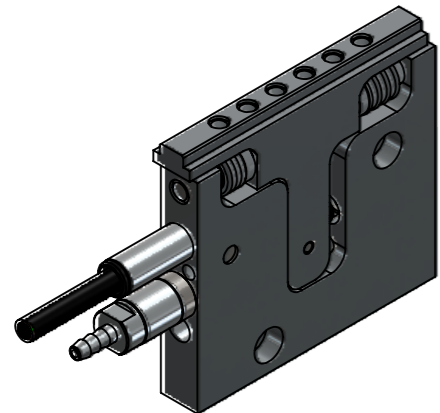
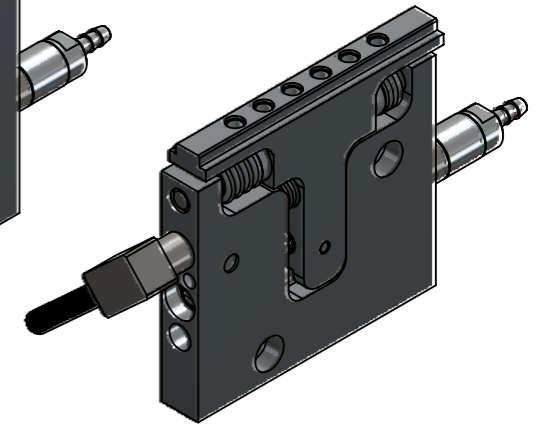
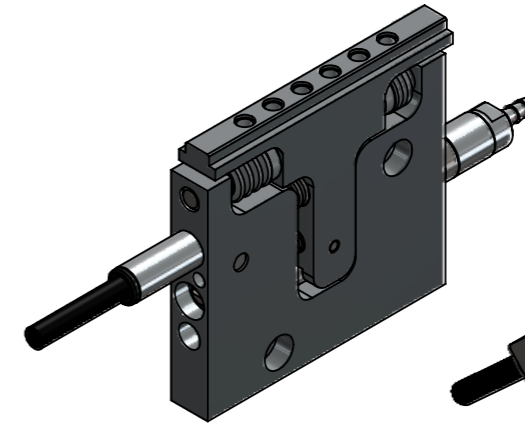
1. ALL BLOCK GAUGE PRODUCTS ARE SHOWN IN THE REST POSITION.
2. FOR ALL PRODUCTS WITH RIGHT ANGLE CABLE OUTLET AND MANUFACTURER FITTED PNEUMATIC CYLINDER, TRANSDUCER LEAD OUT ANGLE IS 45°-50°, EXCEPT REVERSED BLOCK GAUGES.
3. FOR ALL PRODUCTS WITH RIGHT ANGLE CABLE OUTLET AND RETROFIT PNEUMATIC CYLINDERS, BOTH SIDE ACCESS, OR FROM TRANSDUCER SIDE ONLY, TRANSDUCER LEAD OUT ANGLE IS 55°-60°.



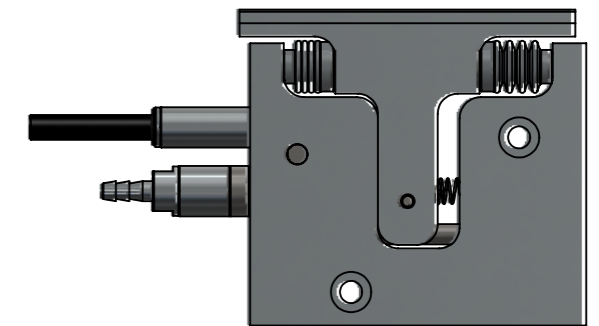
**BGR/1/R(H) OR DKR/2/R
REVERSED ACTION**



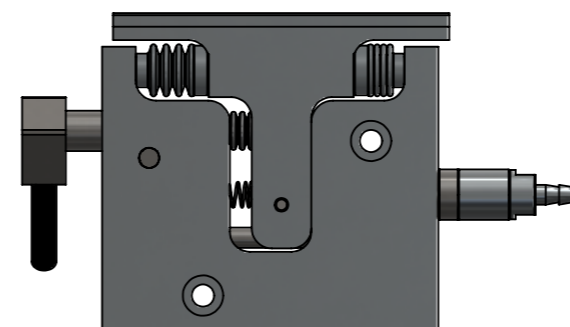
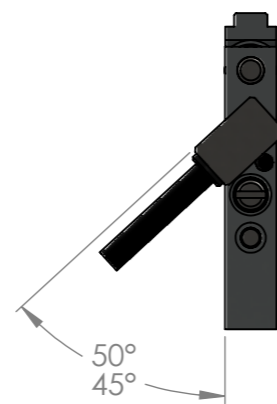
**BGR/1/S(H) OR DKR/2/S
STANDARD**



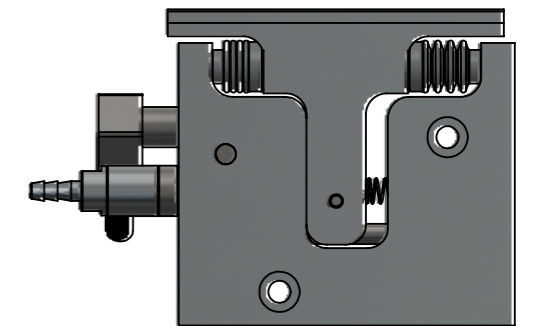
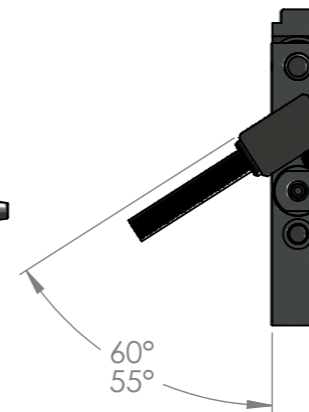
**BG/1/P(H) OR DK/2/P
STANDARD**



**BG/1/RP(H) OR DK/2/RP
REVERSED ACTION**



**BGR/1/P(H) OR DKR/2/P
STANDARD**



**BGR/1/RP(H) OR DKR/2/RP
REVERSED ACTION**



STEYNING WAY • BOGNOR REGIS • SUSSEX • ENGLAND • PO22 9ST

DRAWING NUMBER

540002-082

TITLE

**BLOCK GAUGE
BG/1 & DK/2**

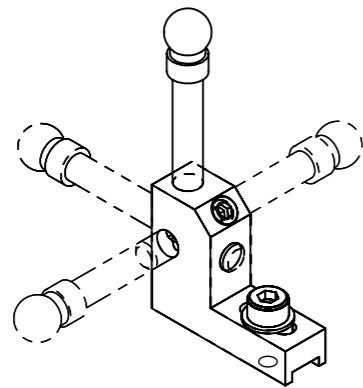
E.D.C.R.

22692

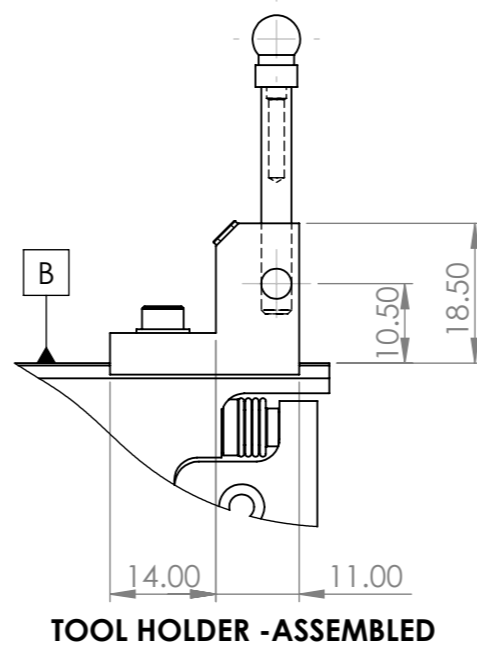
ISSUE

2

SOLARTRON PURSUES A POLICY OF CONTINUOUS DEVELOPMENT. SPECIFICATIONS IN THIS DOCUMENT MAY THEREFORE BE CHANGED WITHOUT NOTICE. DIMENSIONS ARE NOMINAL AND SPECIFIED IN MILLIMETRES



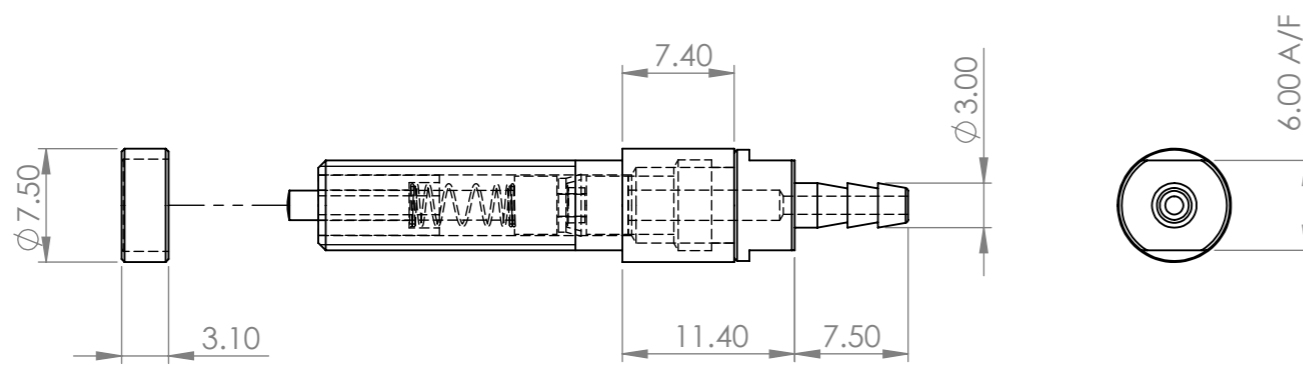
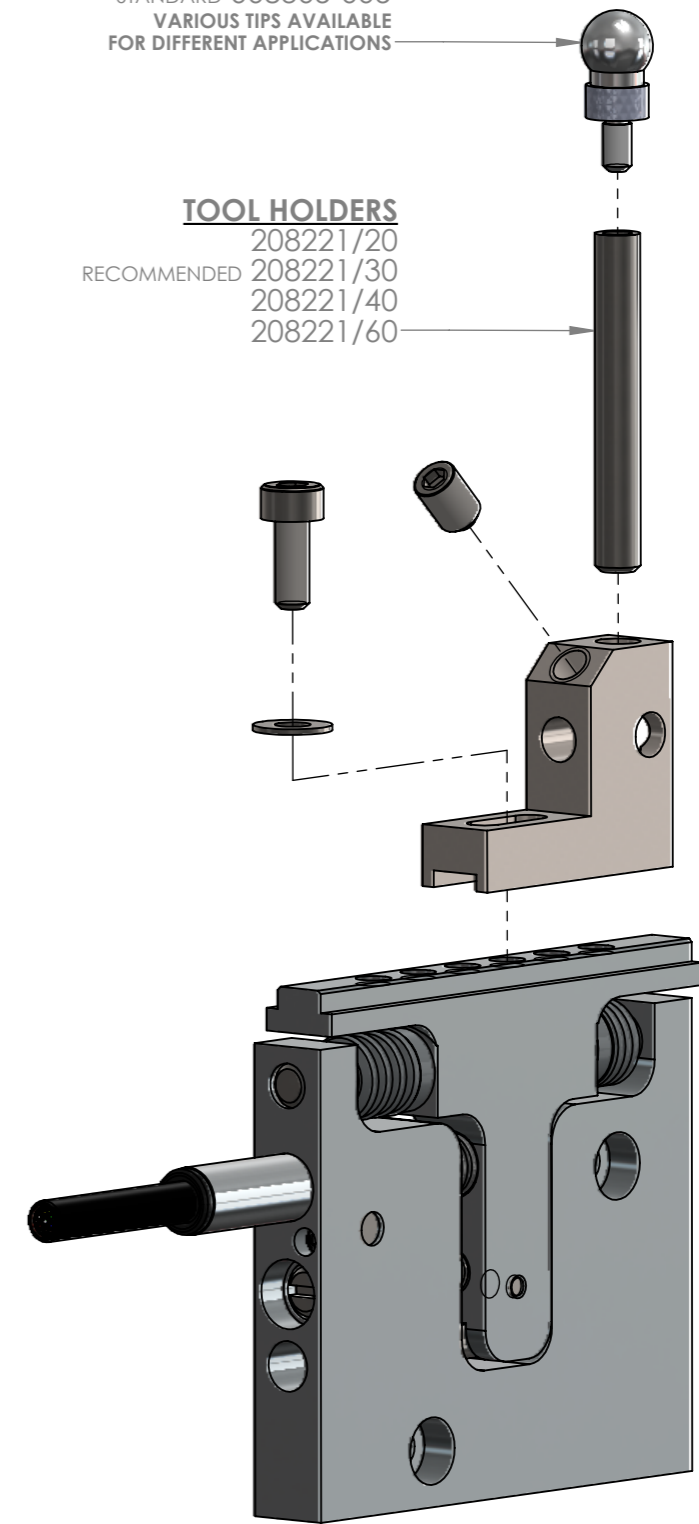
804797-SX TOOL HOLDER ASSY BG/1 & DK/2 - ϕ 4mm
 TIP & TOOL HOLDER SHOWN FOR ALTERNATIVE POSITIONS ONLY



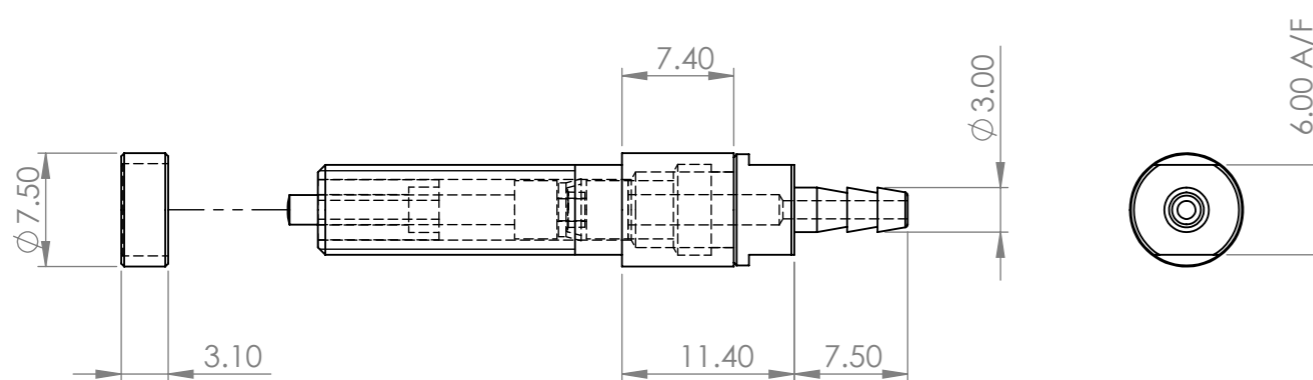
TOOL HOLDER -ASSEMBLED

TIPS
 STANDARD 008305-005
 VARIOUS TIPS AVAILABLE
 FOR DIFFERENT APPLICATIONS

TOOL HOLDERS
 208221/20
 RECOMMENDED 208221/30
 208221/40
 208221/60




805494-SX CYLINDER M6x0.75-6g WITH SPRING RETURN AND SPACER



806313-SX CYLINDER M6x0.75-6g WITH SPACER ONLY

BLOCK GAUGE ACCESSORIES

 STEYNING WAY • BOGNOR REGIS • SUSSEX • ENGLAND • PO22 9ST	DRAWING NUMBER	TITLE	E.D.C.R.	22692
	540002-082	BLOCK GAUGE BG/1 & DK/2	ISSUE	2
SOLARTRON PURSUES A POLICY OF CONTINUOUS DEVELOPMENT. SPECIFICATIONS IN THIS DOCUMENT MAY THEREFORE BE CHANGED WITHOUT NOTICE. DIMENSIONS ARE NOMINAL AND SPECIFIED IN MILLIMETRES				